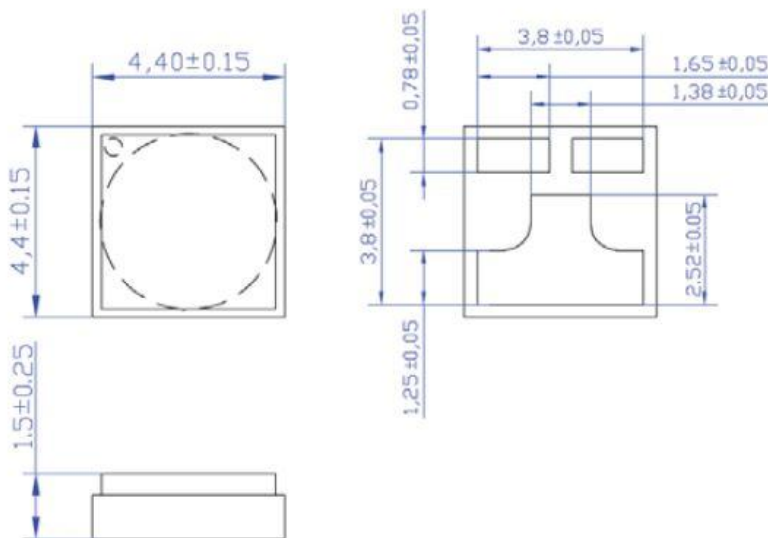


### Product Description

1	Chip Material	InGaN
2	Lens Color	Water Clear
3	Lens Material	All Metal Design Cu Substrate/With Silicone Lens
4	Emitting Color	Purple
5	Pb free	
6	The product itself will remain within RoHS compliant version	
7	4.40*4.40mm standard package	
8	Suitable for all SMT assembly methods	
9	Compatible with infrared and vapor phase reflow solder process	
10	Compatible with automatic placement equipment	

### Package Dimensions



Unit: (mm)

Tolerance:  $\pm 0.25$ mm



Part Number	WP (nm)	Current mA	Vf (V)		Flux (mW) Typ.	Ee (Mw/cm <sup>2</sup> ) Typ.	Viewing Angle
			Min	Max			
AL-H44GLU27-1LI2A8	270	20	6	10	1.5	-	120
AL-H44GLU27-1LI3A8	270	30	6	10	1.7	0.45	120
AL-H44GLU27-3LI5A8	270	50	6	10	3	0.8	120
AL-H44GLU27-5LIJA8	270	100	6	10	7	1.9	120
AL-H44GLU27-8LIKA8	270	150	6	10	10	2.8	120
AL-H44GLU28-8LIKA8	280	150	6	10	10	2.8	120

### Applications:

1. Curing
2. Sterilization
3. Medical, nail dryer
4. Currency Verification, currency detector
5. Fluorescence Microscopy
6. Inspection of dyes, rodent and animal contamination
7. Leak detection



## RELATED PRODUCTS



High Power UV  
365nm LED



High Power UV  
405nm LED



High Power UV  
4040 LED



High Power UV C LED

### Shipping

1. FedEx/DHL/UPS/TNT for samples, Door-to-Door
2. By Air or by Sea for batch goods, for FCL; Airport Port receiving
3. Customers specifying freight forwarders or negotiable shipping methods
4. Delivery Time. 3-7 days for samples; 5-25 days for batch goods



### Company Introduction

Established in 2009. According to the law, in 2009 in Dongguan registered as a general taxpayers;

Registered capital of 3,000,000 RMB;

National high-tech enterprises;

Corporate vision: to become valuable and respected brand leader in LED lighting;

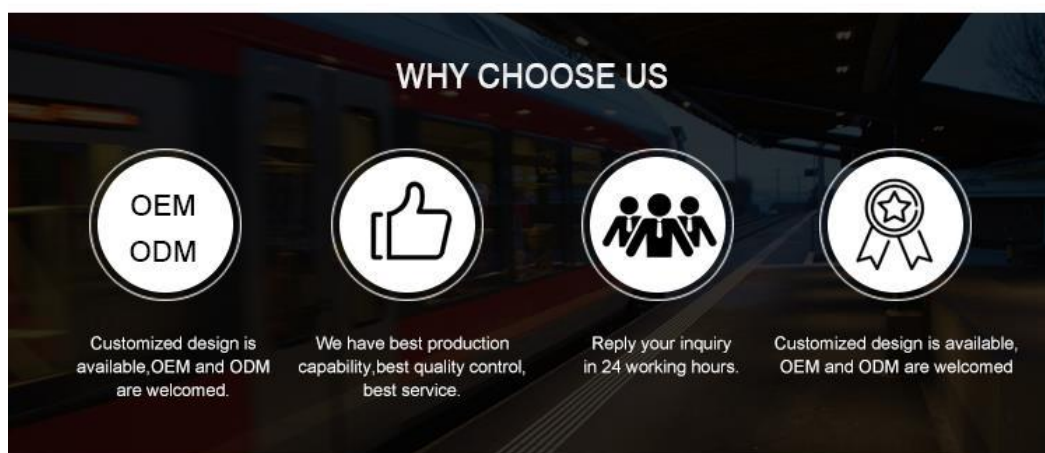
ISO9001 quality system certification and the actual operation; •Company covers about 12,000 square meters;

Main product: research and development production and sales of LED light source, including smd led, led diodes, high power led, and COB led;

Staff: Senior R & D personnel more than 10, about 260 employees;

More than 10 product lines for light source;

Research and develop two or three new designs alone to meet the market requirement.



## CERTIFICATION



## FAQ

Q1. What payment way do you accept?

A1. T/T, Paypal, Western Union and Visa Card are available.

Q2. It is OK to print my LOGO on the led product?

A2. Yes, please inform us formally before our production and confirm the design firstly based on our sample.

Q3. How long will it take for delivery?

A3. After we finish samples or goods, will take 3-7 days to arrive your city.

Q4. How much will the express delivery cost?

A4. The shipping discount are different because of different weight, volume and destination. We will choose the cheapest and safest way according to your detailed requirement. For the exact cost, please contact us freely.

Q5. Can we get support if we have our own market position?

A5. Please inform us your detailed mind on your market demand, we will discuss and propose helpful suggestion for you, to find the best solution for you.

### **Our Advantages**

- 1.Less time and money spent on sourcing by communicating with our experienced sale engineer.
- 2.Ensure only buy what you really need.
- 3.Choosing what you need from fullest led strip & relating accessories ranges supplier.
- 4.Accept OEM with lower quantity.

We value our customers opinions. If you have any questions concerning products details or delivery Information do not hesitate to contact us Here.

Please contact our sales team, we are 24 hours online to service you.

Elsa Xiao

sales@zhidingled.com

Skype: elsa.xiao0418

Tel: 86-769-22665151

Mobile/Whatsapp/Wechat: 86-13412570091

**WELCOME TO CONTACT US>>>>WWW.ZHIDINGLED.COM**



Oversea Sales Manager

Elsa Xiao

E-mail:sales@zhidingled.com

Skype: elsa.xiao0418

Mobile: 86-13412570091

WhatsApp: 86-13412570091

Tel: 86-769-22665151

Fax:86-769-22665155